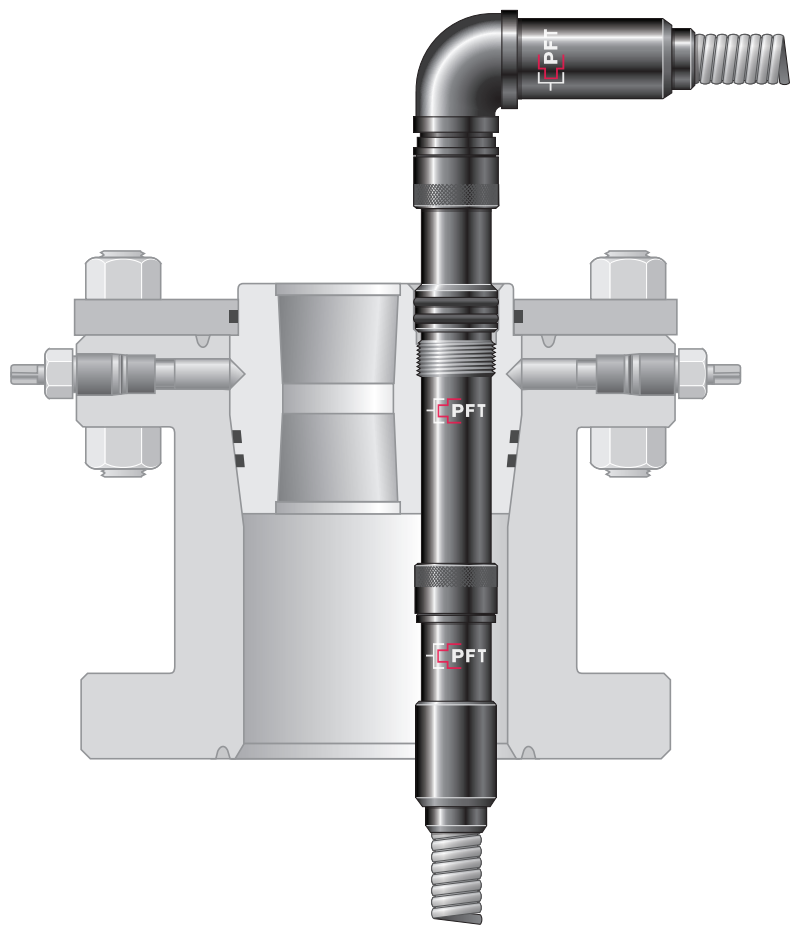


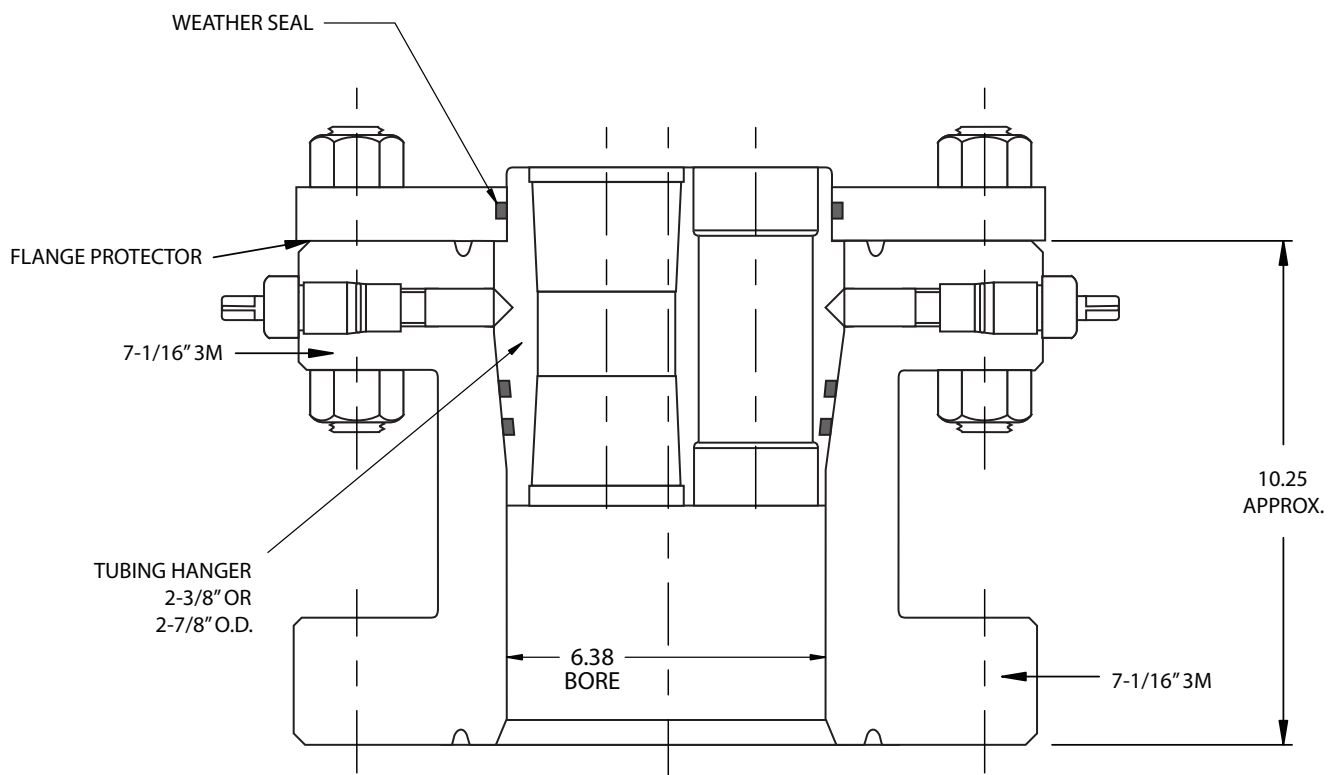
## GT6 Wellhead Adapter

PFT™'s GT-type adapters are flanged top and bottom. Years of experience have convinced us that a flanged top connection is safer and faster than the well-known knock off cap version.

The Gator Feed™ is supplied as a field attachable kit or attached to #4, #2 or #1 AWG flat or round cable. It is rated up to 5kV and 160A, depending on cable size and can be supplied in an explosion proof version.

**GT6:** API 7-1/16" 3M flanged top and bottom and can be supplied with lockscrews in the top flange. The 7" tubing hanger will accommodate 2-3/8" or 2-7/8" tubing. The feed-thru port is prepared to accept a mini mandrel or a Gator Feed™.





## GT6 Wellhead Adapters

All dimensions in inches