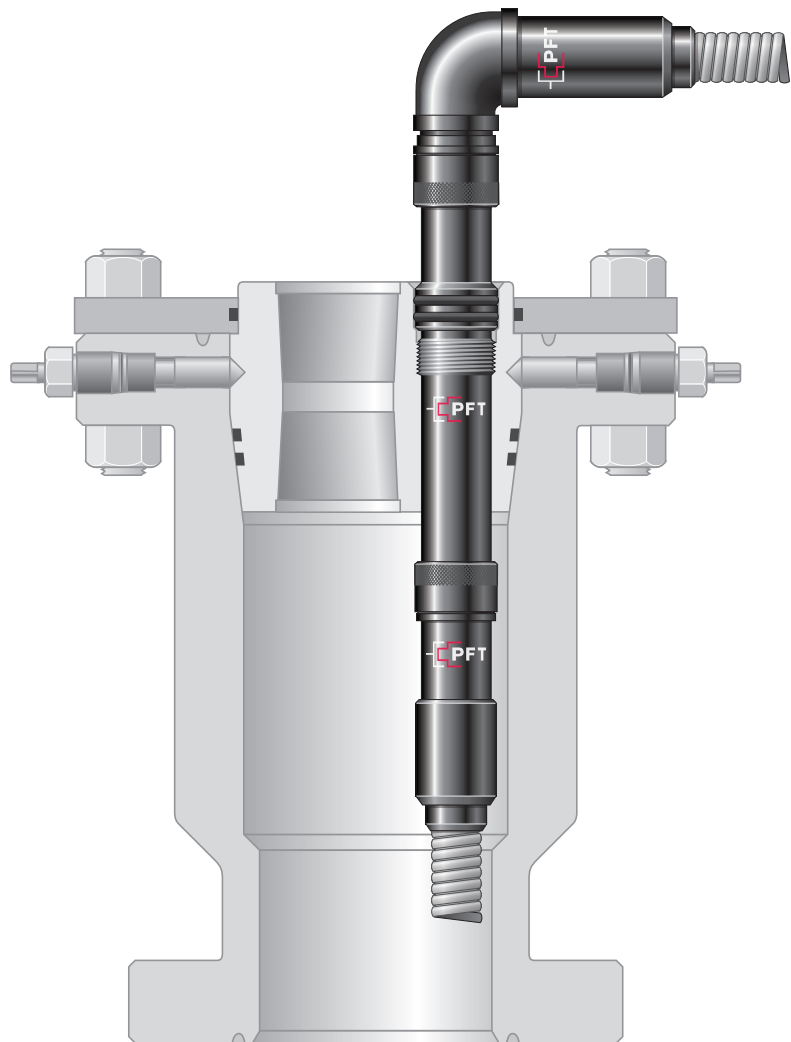


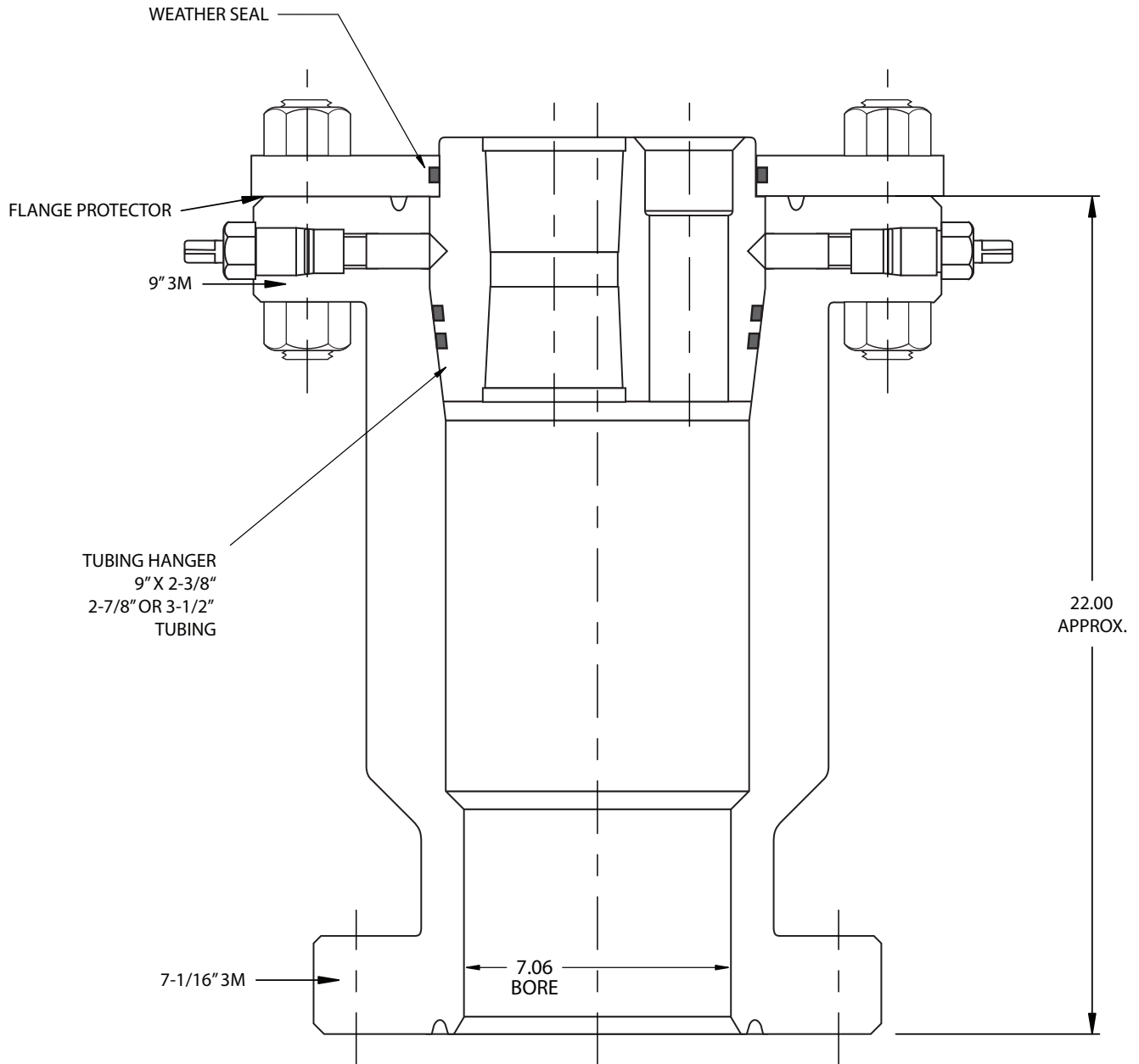
## GT8 Wellhead Adapter

PFT™'s GT-type adapters are flanged top and bottom. Years of experience have convinced us that a flanged top connection is safer and faster than the well-known knock off cap version.

The Gator Feed™ is supplied as a field attachable kit or attached to #4, #2 or #1 AWG flat or round cable. It is rated up to 5kV and 160A, depending on cable size and can be supplied in an explosion proof version.

**GT8:** API 7-1/16" 3M flanged bottom x 9" 3M flanged top and can be supplied with lockscrews in the top flange. The 9" tubing hanger will accommodate 2-3/8" – 3-1/2" tubing. The feed-thru port is prepared to accept a mini mandrel or a Gator Feed™.





**GT8 Wellhead Adapters**

All dimensions in inches