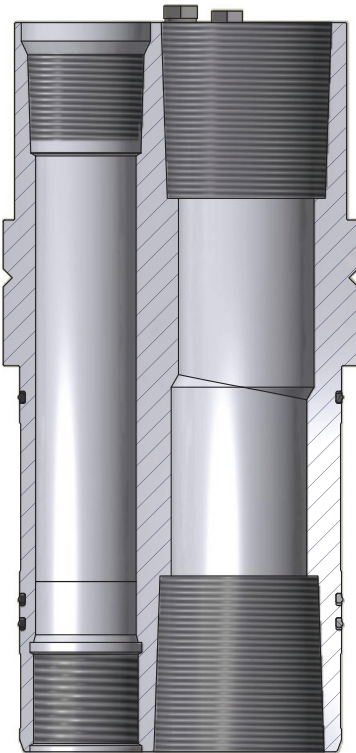




## Black Gator® Pod Hanger



The Black Gator® Pod Hanger lands and seals inside the pod sleeve at the top of the pod casing. The penetrator port on the pod hanger allows the electrical connector to create a seal between the electrical submersible pump (ESP) motor lead extension cable (MLE) and the hanger body. The hanger body has a lower load shoulder for landing in the pod sleeve located at the top of the pod casing. An upper load shoulder provides a means of locking down the pod hanger with a lockdown ring, to make the hanger an integral part of the production string.

### FEATURES

- Seal profile for electrical connector
- Landing shoulder and seals for pod sleeve on top of pod casing
- Optional ports for chemical injection lines
- Test port for testing pod hanger seals after landing in the pod sleeve
- Test port for testing the electrical connector penetrator after making up to the hanger
- Production tubing connections

### SPECIFICATIONS

- Low alloy steel or 13Cr material options
- 5,000 psi MWP

Part Number	Pod Casing Size (in.)	Upper Box Thread (in.)	Lower Box Thread (in.)	Seal Diameter (in.)
PS-7625-019	7 / 7-5/8	3-1/2 9.2# VAM TOP	3-1/2 9.2# VAM TOP	6.625
PS-5500-0002	5	2-3/8 4.6# FCJ	1.9 3.65# FCJ	5.125