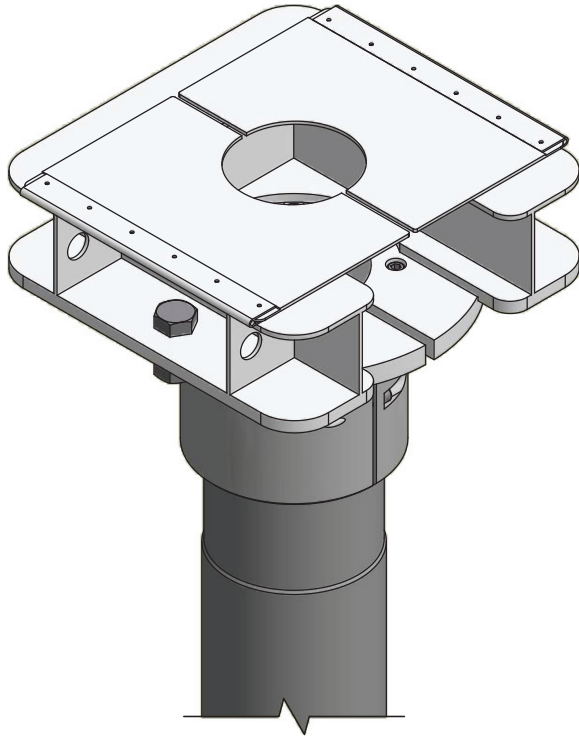




## Black Gator® Pod Work Table



The Black Gator® Pod Work Table is made up to the pod sleeve assembly. The pod work table provides a surface to land the electrical submersible pump (ESP) lifting clamp while installing the ESP inside the pod. The work table provides a staggered height gap to allow the motor lead extension (MLE) and control line cables to pass into the pod without risk of damage. An internal sleeve protects the seal bore when running the ESP into the pod casing. An external sleeve protects the external threads on the pod. The work table is a split design that can be easily removed from the pod.

### FEATURES

- \_\_\_\_\_ Landing area for ESP lift clamps
- \_\_\_\_\_ Staggered C-plate design to allow cable entry into the pod
- \_\_\_\_\_ Internal pod sleeve seal bore protector
- \_\_\_\_\_ External thread protector for pod sleeve
- \_\_\_\_\_ Split design for easy removal from the pod sleeve
- \_\_\_\_\_ Hole cover to avoid dropped objects falling into pod

### SPECIFICATIONS

- \_\_\_\_\_ Carbon steel
- \_\_\_\_\_ SWL = 33,000 lbs.

Part Number	Pod Size (in.)
PS-5500-026	5-1/2
PS-7625-0020	7 / 7-5/8