



# Gator Feed®

Part # GF-KIT • GXP-KIT



The PFT Gator Feed®\* is an economical field-attachable 3,000 psig system. The Gator Feed®\* is also commonly used to replace\*\* cable pack-off assemblies. This two-piece feed-thru system combines a lower connector and wellhead penetrator into an integral unit that installs through the bottom of the tubing hanger. The integral design minimizes the length of the unit below the tubing hanger, allowing for installation in short or restricted tubing head bowls. It is held in place with two anti-rotation cap screws on the bottom and a locking nut on the surface.

The Gator Feed®\* is supplied as a field-attachable kit or factory-attached to #4, #2 or #1 AWG flat or round cable. It is rated up to 5kV and 160A depending on cable size, and can be supplied in an explosion-proof version.

\*\* A mandrel tubing hanger is required when replacing a cable pack-off

## FEATURES

- Flat or round cable
- Flat armor adapter: no need to transition "flat to round"
- Available in C1D1 explosion-proof version
- Can be rebuilt/redressed multiple times
- Reduced assembly time
- Mechanical lock terminal pins (no need for crimping or crimping tools)
- Black anti-corrosive & anti-galling finish
- No potting compound

## PEEK™ Insulator

PEEK™ is extremely well suited for all downhole applications. Depending on the material grade, PEEK™ can work continuously at 260° C (500° F). PEEK™, in comparison to molded rubber, does not take a "set" when put into compression nor is it subject to gas penetration. Combined with our oversized copper contacts, PFT Black Gator® connectors combine a longer run life with the ability to re-run components.

Floating elastomer seal

Thermoplastic insulators

## SPECS

CSA approved

3000 psi API WP (7,500 psi proof test)

5kV (24.5kV DC proof test on factory assembled units)

160A (depending on cable size)

Hazardous area: C1D1

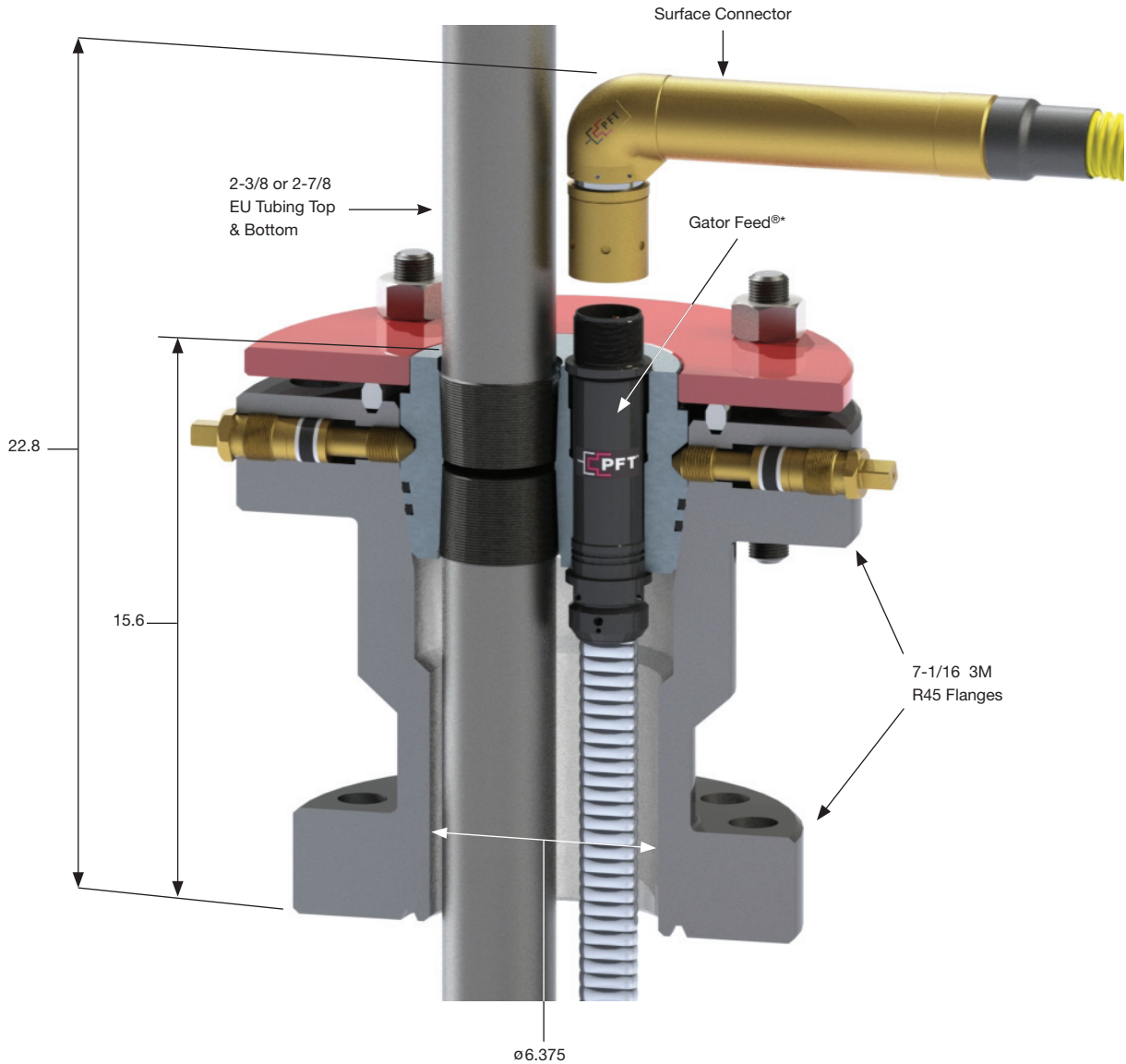
## Connector Body Parts

Components are carbon steel and meet NACE MRO 175 specifications. The black finish provides maximum corrosion protection as well as lubrication for the threaded components. Stainless steel components are also available.



# Gator Feed®

Part # GF-KIT • GXP-KIT



All dimensions in inches