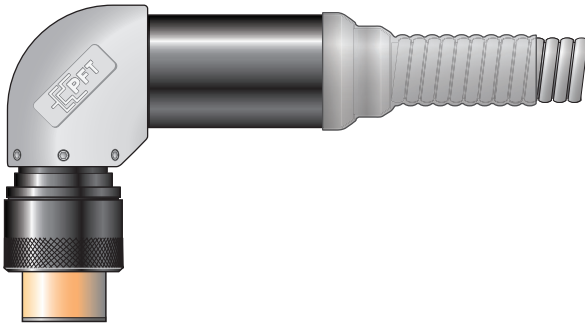




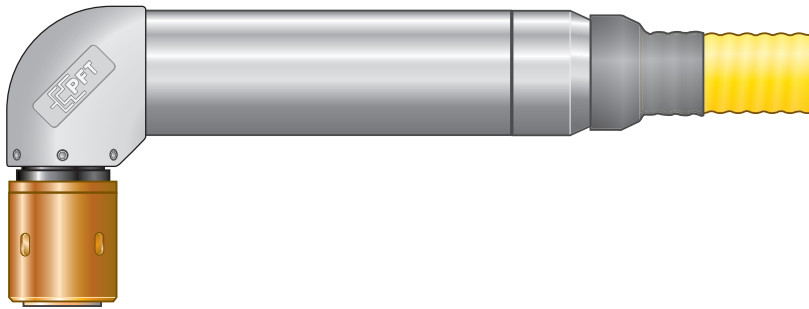
Black Gator® Surface Connectors

Part # EU2 • EU4 • EU5 • EX2 • EX4 • EX5



Standard Non-explosion Proof

The PFT standard surface connector is a compact, factory-assembled unit rated 5kV and, depending on cable size, can be rated up to 205A. This non-C1D1 system fits all PFT standard wellhead penetrators. The units come supplied with 30 feet of #1 AWG round cable with galvanized armor. Cable can also be supplied in custom lengths.



C1D1 Explosion Proof

Our C1D1 system is designed with additional threads between the male and female terminals. With more threads engaged between the penetrator and the surface connector coupling nut, a flame path restriction is created. This ensures that if an electrical arc or spark were to occur, any potential explosion would be constrained within the connector and allowed to cool.

PFT's CSA-approved C1D1 surface connectors, when rated above 2400V and up to 5kV, are supplied with shielded type MV-105 cable in accordance with 2005 NEC Article 310, paragraph 310.6. C1D1 surface connectors for use in applications below 2400V are supplied with non-shielded cable.

FEATURES

- Make & break connection
- Available in 90°, 45° and low profile designs
- CSA-approved for use in C1D1 locations
- Available in various types and lengths of cable
- Compact factory-assembled unit
- Anti-corrosive and anti-galling finish

SPECS

- Each unit tested and factory certified to 24.5kV DC
- 5kV, up to #1/0 AWG shielded cable
- 205A (depending on cable size)
- Meets or exceeds CSA and/or IEEE standards

PEEK™ Insulator

PEEK™ is extremely well suited for all downhole applications. Depending on the material grade, PEEK™ can work continuously at 260° C (500° F). PEEK™, in comparison to molded rubber, does not take a "set" when put into compression nor is it subject to gas penetration. Combined with our oversized copper contacts, PFT Black Gator® connectors combine a longer run life with the ability to re-run components.

Connector Body Parts

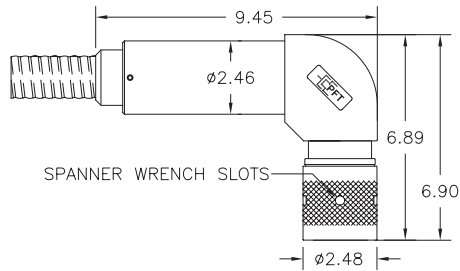
Components are carbon steel and meet NACE MRO 175 specifications. The black finish provides maximum corrosion protection as well as lubrication for the threaded components. Stainless steel components are also available.



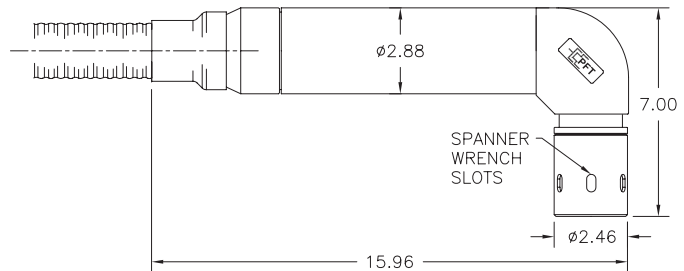
Black Gator® Surface Connectors

Part # EU2 • EU4 • EU5 • EX2 • EX4 • EX5

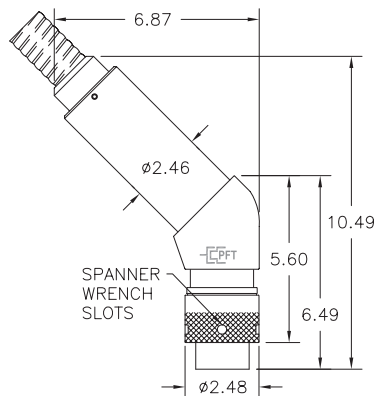
PFT Standard 90° Surface Connector



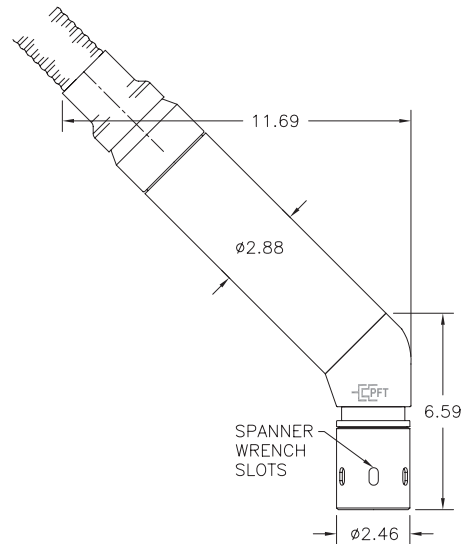
PFT C1D1 90° Surface Connector



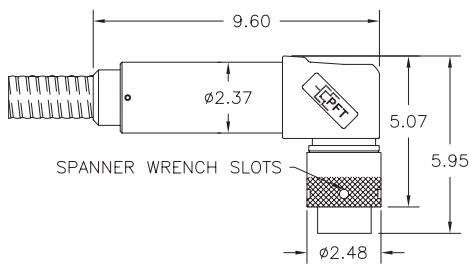
PFT Standard 45° Surface Connector



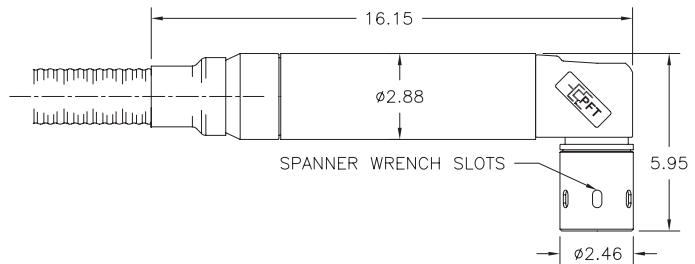
PFT C1D1 45° Surface Connector



PFT Standard Low-Profile Surface Connector



PFT C1D1 Low-Profile Surface Connector



All dimensions in inches