



# GT8 Wellhead Adapter

## GT Wellhead Adapters – For ESP Completions

PFT standard wellhead adapters are available for multiple working pressures ranging from 3,000 to 5,000 PSI. The most common flange size is the API 7-1/16" 3M or 5M (3,000 or 5,000 PSI). The wellhead adaptor hanger is a tapered bowl configuration that allows for a positive and reliable seal. The tapered bowl also allows for easier and quicker landing because ESP installations typically require the tubing to be off-center within the hanger.

## GT8 Wellhead Adapter

### FEATURES

Top flange BOP-ready – no need for drilling flange

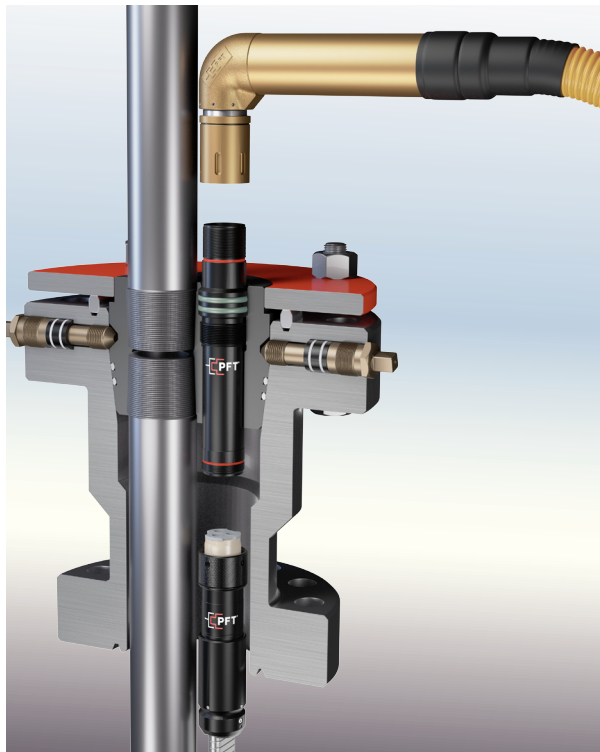
Comes complete with tubing hangers, lockscrews, protector plate, ring gaskets and O-rings

### SPECS

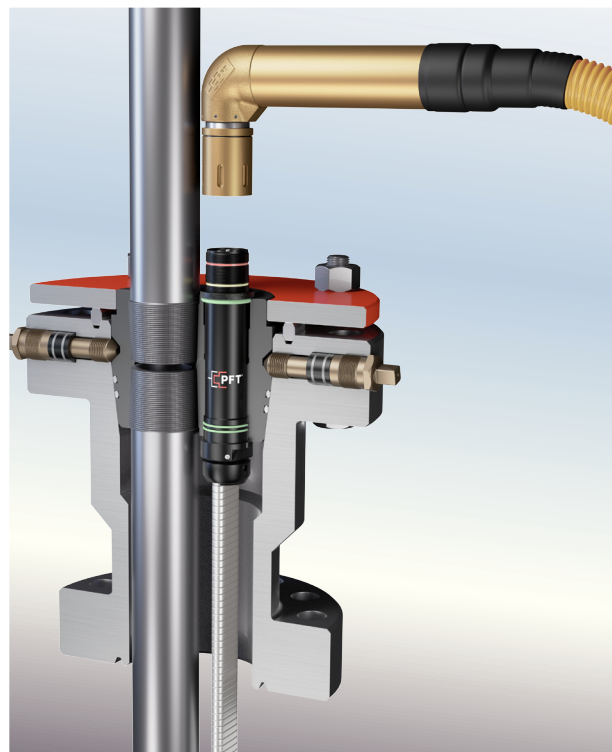
API 7-1/16" bottom x 9" top flanged 3M or 5M

9" tubing hanger available for 2-3/8", 2-7/8" or 3-1/2" tubing (standard thread is EUE 8rd)

With 3-piece feed-thru system



With Gator Feed®\* system



All GT adapters accept the Gator Feed®\* or conventional 3-piece feed-thru system.